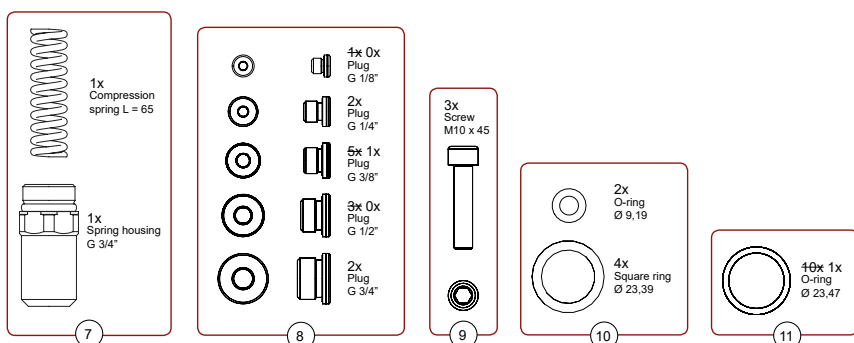
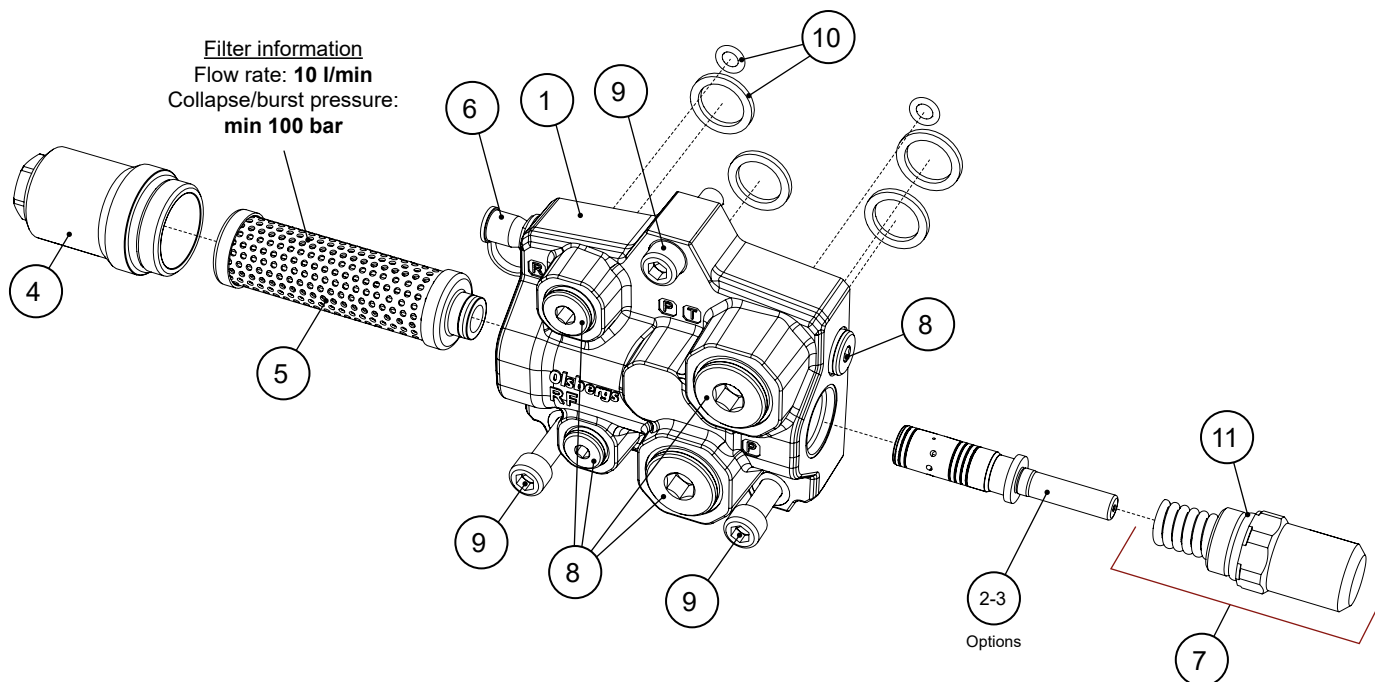


Outlet section RF

Spare parts



** = some parts of the kit is not needed

Pos.	Part no.	Description	Note
1	V38xx	Outlet section RF, complete	
2	V2319	Piston inline TRR Q-series	
3	V2329	Piston inline TRR Q-series for glyd ring	Incl. glyd ring
4	V2327	Filter housing RF Q-series	Incl. o-ring
5	S3026	Filter cartridge 20my absolute	Incl. o-ring
6	S2250	Measuring nipple G 1/8"	TEMA system 100
7	V9020	Spring package TRR	Consumption: 1 kit per outlet section
8	V9027	Plug kit PG2	Consumption: 1 kit per outlet section**
9	V9033	Screw package SG7	Consumption: 1 kit per outlet section
10	V2454	Seal kit	Consumption: 1 kit per outlet section
11	V9011	Sealing package TE1	Consumption: 1 pcs per component**