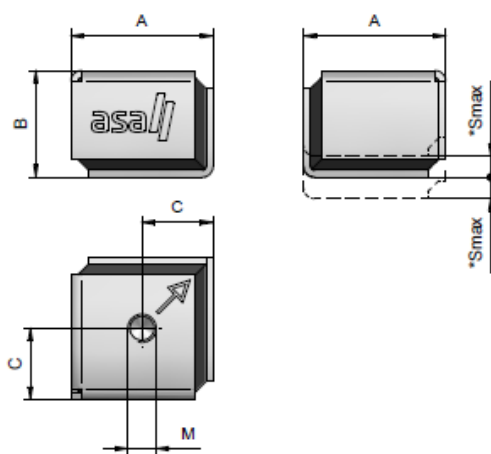


Vibration Absorber MDGQ / Type C



The **asa** rubber vibration absorbers are rubber metal connected parts to absorb impact loads on components as protection and to extend the life time. The patented solution is especially equipped for highest shear loads. An assembly system controlled by arrows on the metal parts helps to optimize and raise the load capability of the vibration absorber.



*Smax.....maximum working distance

Dimensions

order number	description	A	B	C	M	Smax	weight
		[mm]	[mm]	[mm]		[mm]	[kg]
MDGQ403008IIK	Vibration Absorber 40 Kit	40	30	20	M8 x 10	± 3	0,13
MDGQ504510IIK	Vibration Absorber 50 Kit	50	45	25	M10 x 12	± 6	0,28
MDGQ755512IIK	Vibration Absorber 75 Kit	75	55	37,5	M12 x 15	± 8	0,66
MDGQ1007516IIK	Vibration Absorber 100 Kit	100	75	50	M16 x 16,5	± 9	1,90

for more information, see page 6

Material

metal	zinc coated
elastomer	natural rubber
working temperature range	-30°C to +80°C

Options

stainless steel type	MDGQ403008IIWK
----------------------	----------------

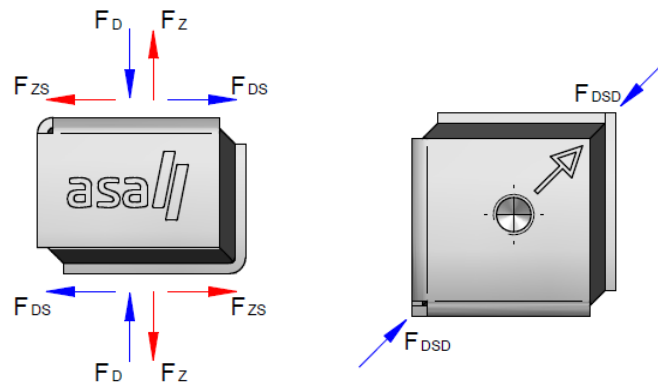


www.hydrotruck.cz
info@hydrotruck.cz

Hydrotruck s.r.o.
Tovačovská 3457/4a
750 02, Přerov
Česká republika

Vibration Absorber

Load Capacities, Maximum Static Loads



order number	description	compression F_D	tension F_Z	compression/shear F_{DS}	tension/shear F_{ZS}	compression/shear diagonal F_{DSD}
		[N]	[N]	[N]	[N]	[N]
MDGQ403008IIK	Vibration Absorber 40 Kit	800	250	700	350	950
MDGQ504510IIK	Vibration Absorber 50 Kit	2000	1450	1550	1500	2250
MDGQ755512IIK	Vibration Absorber 75 Kit	4250	2250	2600	2200	3850
MDGQ1007516IIK	Vibration Absorber 100 Kit	11700	8800	6900	6350	8350

Spring Rates

order number	description	compression C_D	tension C_Z	compression/shear C_{DS}	tension/shear C_{ZS}	compression/shear diagonal C_{DSD}
		[N/mm]	[N/mm]	[N/mm]	[N/mm]	[N/mm]
MDGQ403008IIK	Vibration Absorber 40 Kit	267	83	233	117	317
MDGQ504510IIK	Vibration Absorber 50 Kit	333	241	258	250	375
MDGQ755512IIK	Vibration Absorber 75 Kit	531	281	325	275	481
MDGQ1007516IIK	Vibration Absorber 100 Kit	1301	982	770	709	932

Assembly Instructions

assembly of 4 vibration absorbers::

best mounting position:



all 4 arrows have to point towards the middle

