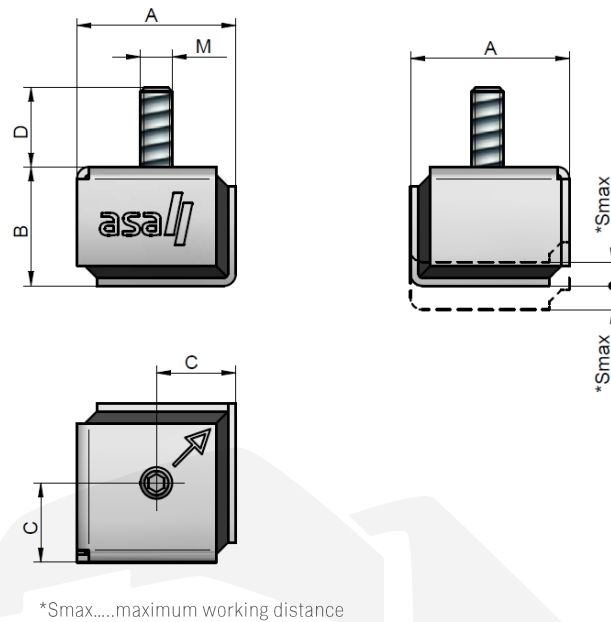


Vibration Absorber

MDGQ / Type B

The **asa** rubber vibration absorbers are rubber metal connected parts to absorb impact loads on components as protection and to extend the life time. The patented solution is especially equipped for highest shear loads. An assembly system controlled by arrows on the metal parts helps to optimize and raise the load capability of the vibration absorber.



Dimensions

order number	description	A	B	C	D	M	Smax	shore	tightening torque	weight
		[mm]	[mm]	[mm]	[mm]		[mm]		[Nm]	[kg]
MDGQ403008AIK	Vibration Absorber 40 type B Kit	40	30	20	25 ±1	M8	± 3	45 ±5	6	0,14
MDGQ504510AIK	Vibration Absorber 50 type B Kit	50	45	25	33 ±1,5	M10	± 6	55 ±5	12	0,30
MDGQ755512AIK	Vibration Absorber 75 type B Kit	75	55	37,5	35 ±1,5	M12	± 8	55 ±5	20	0,70
MDGQ1007516AIK	Vibration Absorber 100 type B Kit	100	75	50	45 ±1,5	M16	± 9	65 ±5	50	2,00

for more information, see page 6

Material

absorber housing	zinc coated
threaded pin	stainless steel
elastomer	natural rubber
working temperature range	-30°C to +80°C

Options

stainless steel type	MDGQ403008AIWK
----------------------	----------------

